



Pump specifications:

Type.....	B70 BVGMC
Max. flow	82 m ³ /hour
Max. head.....	20 mwc
Connections.....	3" BSP
Impeller type	Open impeller
Free passage.....	22 mm
Pump speed	2850 rpm
Electric motor.....	4 kW - 2 pole
Voltage	400/690V IE2
Assembly	Monobloc
Weight (net)	60 kg

FEATURES

B self-priming centrifugal pump

The B range of pumps has been designed with a clear focus on reliability, efficiency and durability, ranging from 1-1/2" to 12". Featuring an open impeller configuration in combination with a changeable wear plate, facilitating servicing and minimising costs of spares. All B series pumps are fitted with a non return valve in the suction port, eliminating the need for a foot valve in suction line and allowing quick priming.

Design features

- Basic, reliable technology
- Large solids handling capacity
- Suitable for use with hot fluids
- Cooled shaft seal
- Extended life due to pump design
- Available with ATEX approval

Fields of application

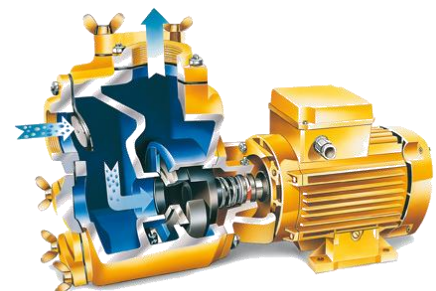
- Shipping
- Industry
- Construction
- Waste water management
- Emergency pump units
- Irrigation
- Agriculture
- Horticulture

Complete package designed & built by BBA Pumps

- Complete in-house design & production
- Over 60 years of experience in the market
- Extensive testing facility in-house
- Contemporary & functional design
- Durable & eco-friendly materials
- Custom builds available

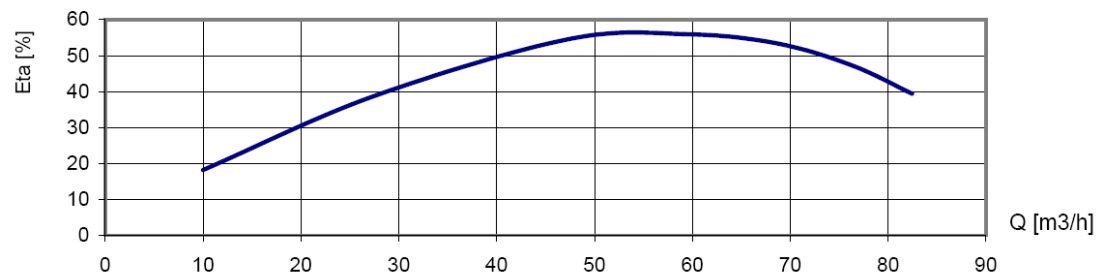
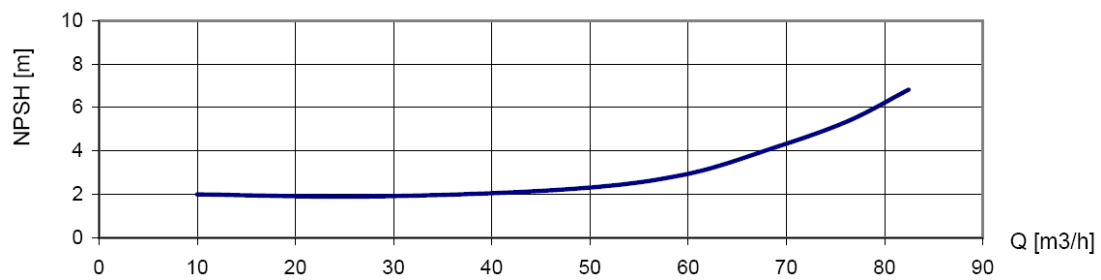
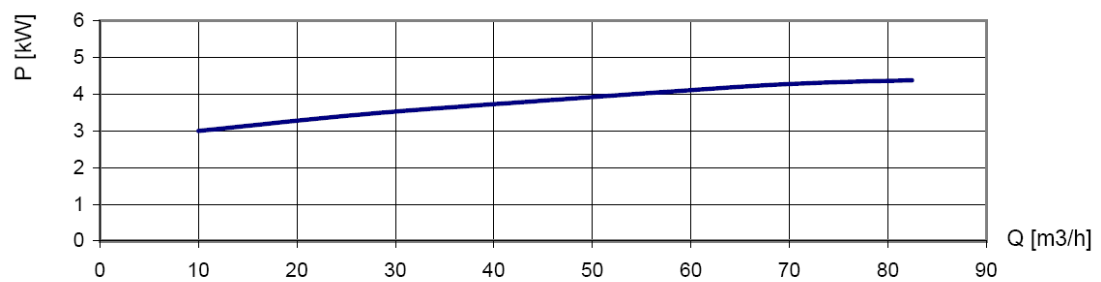
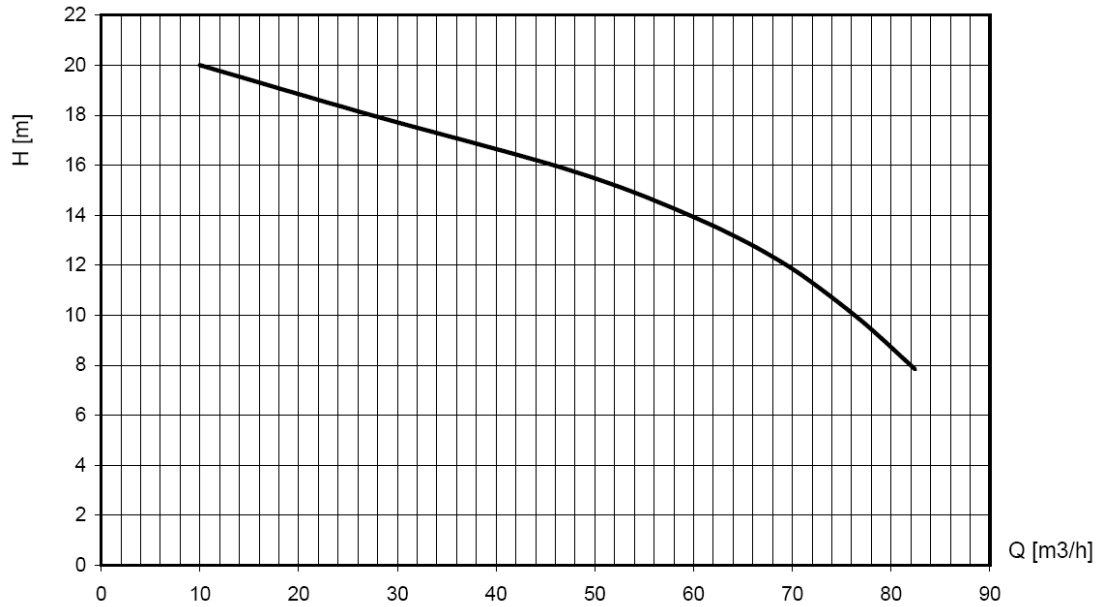
After sales service & product support

- Single supplier for parts, spares & accessories
- Dedicated customer help-desk (24h service)
- Dedicated service department in-house
- Global parts distribution network
- Optional global on-site servicing
- Extensive training options available (technical & commercial), on-site or in-house



PERFORMANCE CURVES (2850 RPM)

Continuous duty according ISO 9906



STANDARD TECHNICAL SPECIFICATIONS

BBA centrifugal pump

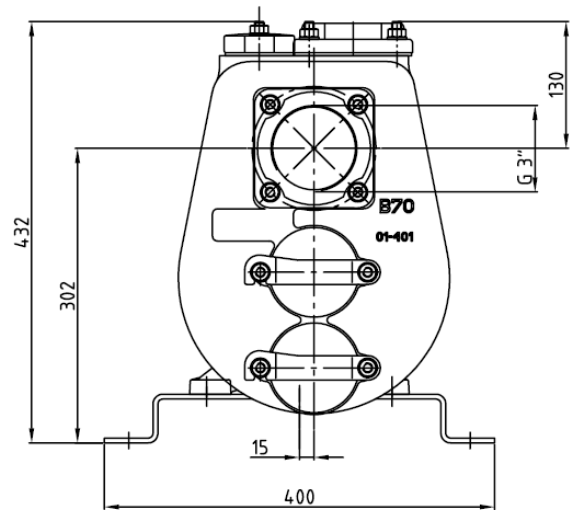
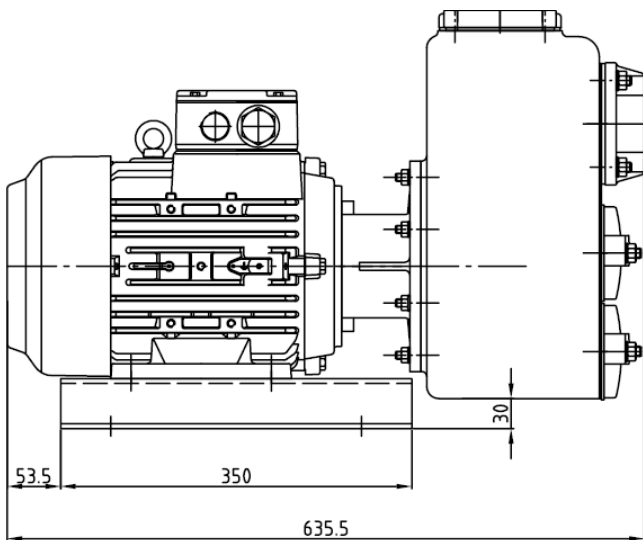
Model..... B70 BVGMC
Max. flow..... 82 m³/hour
Max. head..... 20 mwc
Free passage..... 22 mm
Pump speed..... 2850 rpm
Connections..... 3" BSP

Electric motor

Power..... 4 kW – 2 pole
Voltage..... 400/690 V
Frequency..... 50 Hz
Mounting..... B3/B14A, IP55, ISO F
Assembly..... Monobloc

Materials

Pump casing..... Cast iron GG20 – 0.6020
Wear plate..... Cast iron GG20 – 0.6020
Impeller..... Cast iron GG20 – 0.6020
Shaft seal..... Mechanical seal
Seal faces..... Sic / Sic / Viton
Pump shaft..... Steel C45 – 1.1191
Gaskets..... NBR / paper



OPTIONAL FEATURES

Mechanical seals

T3W seal..... HM / HM / Viton
MG1 seal..... Sic / Sic / EPDM

Gaskets

N NBR: Perbunan
V FPM: Viton
E EPDM
T PTFE: Teflon
K FFKM, Kalrez

Extras

+F..... DIN flanges
+FK..... DIN flanges, stainless steel 316
+BI..... Bronze impeller; stainless steel 316 shaft
+BII..... Bronze impeller/wear plate, stainless steel 316 shaft
+KI..... Stainless steel 316 impeller and shaft
+KII..... Stainless steel impeller, wear plate and shaft
+M..... Cutting blade
+P..... Perma grease cartridge
+VP..... Grease glass for seal lubrication
+KW..... Wheelbarrow frame
60Hz..... Motor 440V – 60Hz